

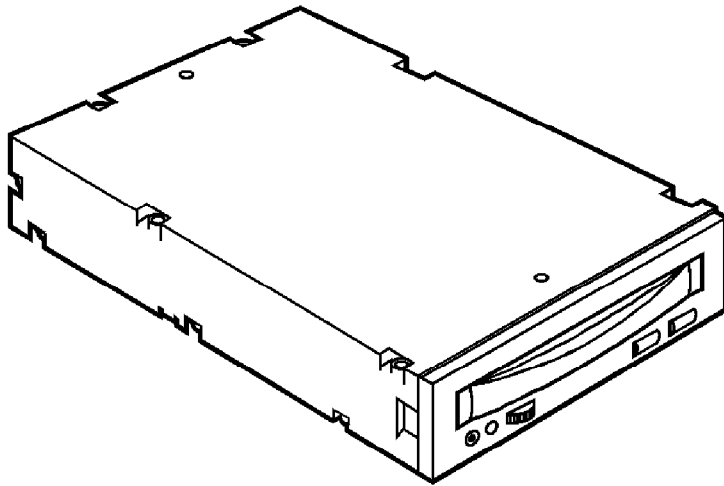


BLACK BOX®

© Copyright 1994. All rights reserved.
Black Box Corporation.

The Source for Connectivity®

Double-Speed Internal CD-ROM Drives



Now upgrade to
multimedia—
graphics, audio, and
video.

It's easy to make your PC a multimedia powerhouse. Let us show you the complete solution.

Key Features

- ▶ Supports double-speed operation.
- ▶ Supports Kodak® Multisession Photo-CD, CD-XA, Audio CD-DA, and High Sierra (ISO 9660).
- ▶ Plays 12-cm and 8-cm disks.
- ▶ Three-beam focusing and tracking mechanism for precision playback.
- ▶ Plays audio CDs right from the front panel.

Overview

Bring the exciting world of computerized multimedia and mass storage to your desktop with reliable, high-performance internal CD-ROM Drives. Add sound cards and other accessories for all your presentation, education, and business multimedia needs.

The drive features a fully motorized loading tray (no separate caddy is required) designed to close automatically with just a slight push. To make the drive even easier to use, you control all the basic functions with just two buttons on the front panel. Press button 1 for open/close/stop functions. Button 2 controls play and skip. Press both buttons simultaneously to skip back over a CD track.

The drive supports the latest CD-ROM formats, including Audio CD-DA, High Sierra (ISO 9660), and Kodak® Multisession Photo-CD, in addition to CD-XA.

Add sound capabilities to your multimedia PC to create dynamic business or training presentations. Choose from three audio cards to match any requirements for sophisticated sound manipulation.

Once you've added audio, bring it to life by adding a pair of compact amplified speakers. Choose from two styles.

Mass storage, business training, education, and entertainment. Get the world of multimedia at your fingertips when you add a CD-ROM Drive to your PC.

Typical Applications

Create a corporate training presentation by mixing video clips of managers explaining job functions with charts, graphs, text, and animation.

Use CD-ROM and multimedia to create sales and marketing presentations that will outshine your competition's.

Technically Speaking

Here are some terms you will hear when working with CD-ROM:

Single Speed—150-Kbps data transfer.

Double Speed—300-Kbps data transfer.

Transfer Rate—The speed at which data can be moved from one device to another.

Access Time—The time required to find information on a storage device.

Red Book—CD audio standards defined.

Yellow Book—CD-ROM standards defined.

CD-ROM XA—CD-ROM Extended Architecture. A format providing a common platform for audio and graphic-image resources in order to produce multimedia applications. Developed by SONY, Philips, and Microsoft in 1988.

Multi-Session Photo CD—the CD-ROM can be accessed more than once by the Photo CD service bureau.

Photo CD—Eastman Kodak standard that allows 35mm photographs to be converted to CD-ROM for television or computer monitor viewing and editing.

MSCDEX—MS-DOS CD-ROM Extensions. Required in order to interface the CD-ROM drive to a system running MS-DOS.

High Sierra/ISO 9660—Standards adopted by the International Standards Organization. ISO 9660 guarantees the end-user that all CD-ROM discs, drives, and microcomputers will work together, regardless of manufacturer.

Specifications

Double-Speed Internal CD-ROM Drive

Capacity—Mode 1: 553 MB;
Mode 2: 635 MB

Average Access—<350 msec

Maximum Access—
<800 msec

Data Transfer Rate—
307.2 Kbps

Burst Transfer Rate—
1.4 Mbps

Error Rate—1 m <10⁻¹⁶

Buffer Size—64 KB

Audio Line Output—
1.2 volts nms

Headphone Output—
1.2 volts nms

Audio Signal to Noise—
92 dB

Power—5 VDC from the
PC interface

Size—1.6"H x 5.7"W x 8.2"L
(4.1 x 14.5 x 20.9 cm)

Weight—3.3 lb. (1.5 kg)

The Complete Package

What you get when you order a CD-ROM Drive.

CDD-250 Includes:

- ◆ Double-Speed Internal CD-ROM Drive.
- ◆ Beethoven/ADSP 16 Audio Card for hi-fi quality 16-bit audio recording and playback/CD interface card. Fully compatible with AdLib®, SoundBlaster, and Windows™ Sound System.
- ◆ User Manual.

CDD-200 Includes:

- ◆ Double-Speed Internal CD-ROM Drive.
- ◆ CD-ROM PC Interface Card.
- ◆ User Manual.

Additional equipment you may need

Audio

- ◆ Beethoven/ADSP 16 Audio Card (CDC-010A)
- ◆ Beethoven/16 Audio Wave Card (CDC-011A)
- ◆ Beethoven Classic-16 Kurzweil Card (CDC-012A)

Speakers

- ◆ Budget Audio Speakers (CDS-010A)
- ◆ Premium Audio Speakers (CDS-011A)

For these and other components...

Call our expert Technical Support Staff for all your video/multimedia needs. They'll help you find the best equipment for your application.

Ordering Information

This information will help you place your order quickly.

PRODUCT NAME	PRODUCT CODE
Double-Speed Internal CD-ROM Drive	
with Beethoven/ADSP 16 Audio Card.....	CDD-250
Double-Speed Internal CD-ROM Drive.....	CDD-200
Beethoven/ADSP 16 Audio Card.....	CDC-010A
Beethoven/16 Audio Wave Card.....	CDC-011A
Beethoven Classic-16 Kurzweil Card.....	CDC-012A
Budget Audio Speakers.....	CDS-010A
Premium Audio Speakers.....	CDS-011A