

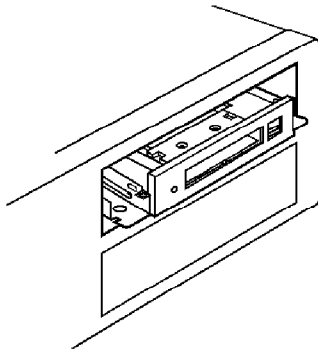


BLACK BOX®

© Copyright 1995. All rights reserved.
Black Box Corporation.

The Source for Connectivity®

PCMCIA Internal Card Drive



*Plug the power of
PCMCIA into your
desktop PC!*

Key Features

- ▶ *Dual-slot front panel accepts Type II and Type III PCMCIA cards*
- ▶ *CardTalk control panel provides ready access to advanced programs and minimizes training*
- ▶ *Power standby is ideal for "Green PCs"*

Overview

Now get more use out of your PCMCIA cards. Even if you're not a mobile user, our PCMCIA Drive is a fast, low-cost way to add the peripherals you need if your PC slots are full.

The Drive installs in your PC's 3 1/2" or 5 1/4" bay. It gives you two PCMCIA slots for Type I, Type II, and Type III cards. Just plug in

PCMCIA LAN adapters, fax modems, memory cards, SCSI ports, and sound cards. You can share peripherals, files, and software easily. And with a PCMCIA memory card, you can add more data storage capability to your PC.

Setup is fast, too. The Control Panel is an intuitive Windows graphical user interface that simplifies card preparation and installation. You can easily install, operate,

configure, and interchange PCMCIA cards in DOS and Windows. The Control Panel can also display I/O card information, system configuration, and card status. And the Control Panel's automatic card recognition and card-information library frees you from needing PCMCIA technical knowledge. Just plug in the card—and start working.

Specifications

System Requirements—IBM® compatible with 286 or higher processor, 16-bit ISA bus slot running at 8 MHz, at least 500 KB free disk space, 1-MB RAM, DOS 5.0 or higher, Windows 3.1 or Windows for Workgroups 3.11

Connectors—(2) 50-pin SCSI Internal

Power—28.0 mA (+5V); 0.15mA (+12V)

Size—1.3"H x 5.8"W x 7"D (3.2 x 14.6 x 17.8 cm)

Weight—0.9 lb. (0.4 kg)

Ordering Information

This information will help you place your order quickly.

PRODUCT NAME	ORDER CODE
PCMCIA Internal Card Drive	AC430AC