



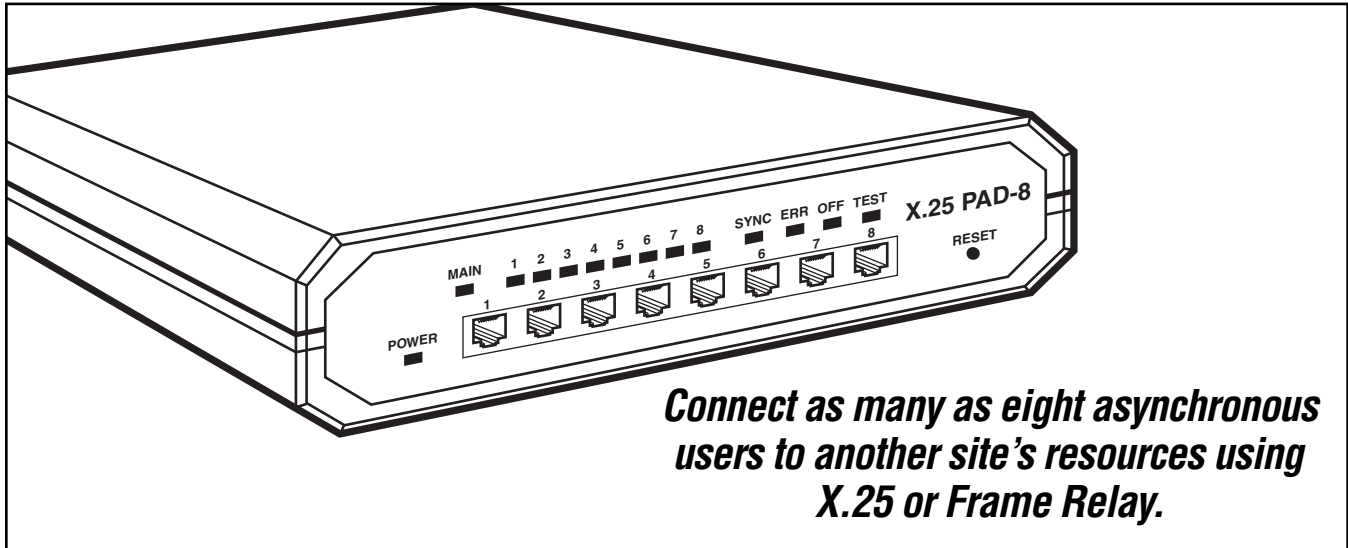
© 2000. All rights reserved.
Black Box Corporation.

BLACK BOX[®]

NETWORK SERVICES

Black Box Corporation • 1000 Park Drive • Lawrence, PA 15055-1018 • Tech Support: 724-746-5500 • www.blackbox.com • e-mail: info@blackbox.com

X.25 PAD-8



Connect as many as eight asynchronous users to another site's resources using X.25 or Frame Relay.

Key Features

- ▶ **Sends async data up to 115.2 kbps.**
- ▶ **Supports SNMP, SLIP, X.32, IP routing, Frame Relay for RFC 1490, X.2 for RFC 1490 and 1356, and X.25 multicasting.**
- ▶ **Sync to 2 Mbps!**
- ▶ **Connect up to eight async devices.**
- ▶ **Supports Frame Relay and X.25 packet switching—excellent for migrating networks.**
- ▶ **Five link interfaces available.**

If you have X.25 or Frame Relay service, why not make the most of it? Use our X.25 PAD-8 to weave the data from as many as eight asynchronous devices into a single stream for transmission on a high-speed sync channel!

The X.25 PAD-8's async ports are RS-232, pinned out on RJ-45. Configure each of them for a data rate from 75 bps to 115.2 kbps. It's very easy to run modular twisted-pair cable from these ports to any of your async RS-232 devices: PCs, terminals, serial printers, even bridges and routers. We offer several types of modular adapters that you can use to attach the cable to any of these devices.

Different models of the X.25 PAD-8 come with different sync-port interfaces: RS-232, RS-530, V.35, V.36 (RS-449), or X.21. Order

a model that will work with your WAN-access device, be it a sync modem, CSU/DSU, FRAD, or whatever else. The sync port can handle data rates as high as 2 Mbps.

Not only do you have a variety of sync interfaces to choose from, there are also models available for different power sources. Most X.25 PAD-8 models are available in either 115-VAC or 230-VAC models, and RS-232 and V.35 are available in DC models as well. (The DC models can accept -48, -24, +24, or +48 VDC; they come with a mating connector that you can splice onto the end of your DC power cord.)

You can control the X.25 PAD-8 through a sophisticated terminal-based menu system. (It has extended X.28/X.29 or SLIP command modes and performs

extended X.3 terminal handling.) First use it to configure the async channels, setting profiles, sync link, and system parameters. Then bring any of these powerful features of the X.25 PAD-8 into play for use in your system:

- Permanent virtual circuits (PVCs).
- Call IDs.
- NUI databases.
- Aliasing.
- IP routing and routing tables.
- Frame Relay funneling.
- X.32 (XID) tables.
- SNMP management and event reporting.
- X.25 multicasting.

The X.25 PAD-8 has flash memory, so you can keep upgrading it—with even more

(continued on page 2)



(continued from page 1)

features—for as long as we keep releasing new firmware revisions.

If you want to rackmount the PAD-8, we offer a universal rackmount kit (RM516) that you can use different pieces from to either mount a single unit in a 19" rack or mount two units side by side.

Specifications

Clocking —

X.25 port: Internal or external

Protocol —

Packet Switching: ITU X.25 LAPB or Frame Relay;
Supporting protocols: ITU X.3, X.28, X.29, X.32; LMI, ANSI PVC management; ANSI T1.606, T1.617 Annex D, T1.618, ITU Q.922 Annex A

Speed —

Async up to 115.2 kbps;
Composite: Sync up to 2 Mbps

Interface —

RS-232, V.35, RS-422, RS-530, or X.21

Connectors —

Channels: (8) RJ-45; Composite: RS-232: DB25 F; V.35: M/34 F; RS-422: DB37 F, via adapter cable; RS-530: DB25 F; X.21: DB15 M

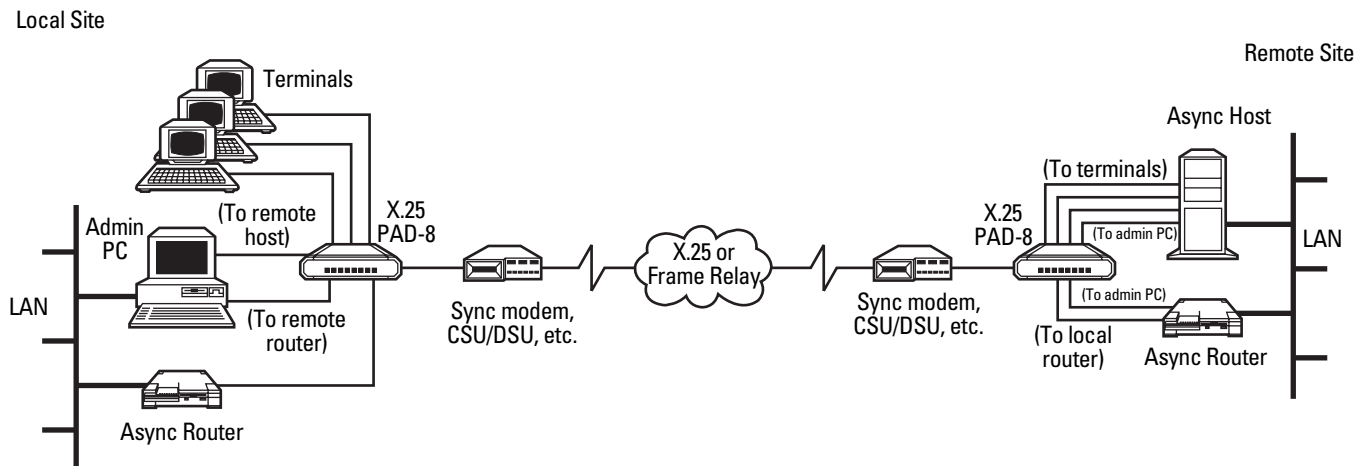
Indicators — Power, Main Link, Error, Subchannels, Synchronization, Overflow, Test

Power — 115–230 VAC, 50–60 Hz; or 48 VDC

Size — 1.7"H x 8.5"W x 9.5"D (4.3 x 21.6 x 24.1 cm)

Weight — 3.9 lb. (1.8 kg)

Connect your async devices with packet switching!



Why Buy From Black Box? Exceptional Value. Exceptional Tech Support. Period.

Recognize any of these situations?

- You wait more than 30 minutes to get through to a vendor's tech support.
- The so-called "tech" can't help you or gives you the wrong answer.

- You don't have a purchase order number and the tech refuses to help you.
- It's 9 p. m. and you need help, but your vendor's tech support line is closed.

According to a survey by Data Communications magazine, 90% of network managers surveyed say that getting the technical

support they need is extremely important when choosing a vendor. But even though network managers pay anywhere from 10 to 20% of their overall purchase price for a basic service and support contract, the technical support and service they receive falls far short of their expectations—and certainly isn't

worth what they paid.

At Black Box, we guarantee the best value and the best support. You can even consult our Technical Support Experts before you buy if you need help selecting just the right component for your application.

Don't waste time and money—call Black Box today.



You May Also Need:

- A CSU/DSU, sync modem, or other WAN-access device.
- A rackmount kit.
- Power-line and data-line surge protectors.

Ordering Information

ITEM	CODE
X.25 PAD-8	
RS-232	
115-VAC	MX321A-232-R3
230-VAC	MX321AE-232-R3
48-VDC	MX321A-232-D48-R2
V.35	
115-VAC	MX321A-35-R2
230-VAC	MX321AE-35-R2
48-VDC	MX321A-35-D48-R2
RS-422	
115-VAC	MX321A-36-R2
230-VAC	MX321AE-36-R2
RS-530	
115-VAC	MX321A-530-R2
X.21	
230-VAC	MX321AE-X21-R3

You may also want to order cables:

RS-232 Cable, 25-Conductor, 10-ft., (3-m), Male/Female	ECM25C-0010-MF
V.35 Interface Cable, 10-ft., (3-m), Male/Male	EYN450-0010-MM
DB37 Interface Cable, 10-ft., (3-m), Male/Male	EDN37J-0010-MM
RS-530 Data Cable, 10-ft., (3-m), Male/Female	EVN530-0010-MF
X.21/X.21 Cable, 10-ft., (3-m), Male/Female	EVNX21-003M-MF



Black Box offers the best warranty program in the industry—Fido Protection®. For more information, request **FaxBack 22512**.

