



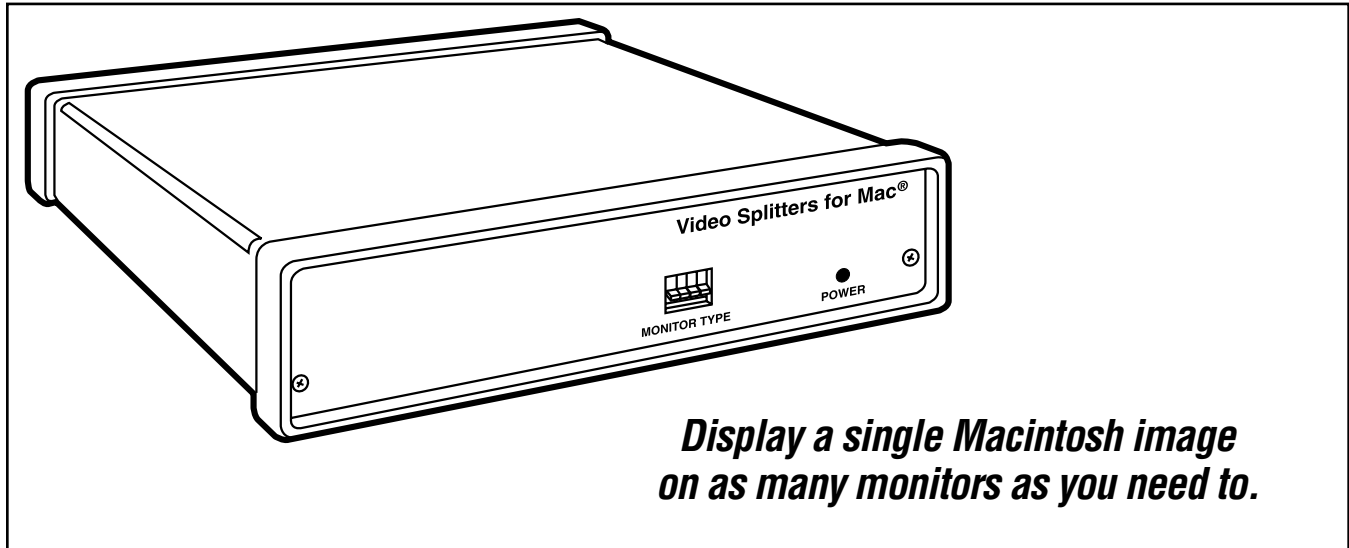
© 2003. All rights reserved.
Black Box Corporation.

BLACK BOX[®]

NETWORK SERVICES

Black Box Corporation • 1000 Park Drive • Lawrence, PA 15055-1018 • Tech Support: 724-746-5500 • www.blackbox.com • e-mail: info@blackbox.com

VIDEO SPLITTERS FOR MAC



*Display a single Macintosh image
on as many monitors as you need to.*

Key Features

- ▶ **Send Macintosh video output to 2, 4, 6, 8, or 10 monitors or other display devices with one splitter.**
- ▶ **Cascade splitters to reach even more monitors.**
- ▶ **Monitors can be up to 250 ft. (76.2 m) away from the splitter.**
- ▶ **Supports a variety of monitor types.**
- ▶ **Quick and easy to install.**

Why waste time, space, and money on duplicate computers and processes when you just want a few displays to show the same thing? If you need to teach or reach a localized group of people with a single set of Macintosh based visuals, try one of our Video Splitters for Mac. Available models can drive Mac[®] video to 2, 4, 6, 8, or 10 separate monitors, video projectors, or LCD panels at once from a single CPU you control with one keyboard and one mouse.

The Video Splitters for Mac amplify the video signals coming from your PowerBook[®], Power Mac, or other source and retransmit them to as many as ten destinations at once. If you need to send video to more than ten places, just cascade splitters (plug one's output into another's input) to add extra ports. (Be

aware that this might degrade image quality.)

Even high-resolution graphics that lesser splitters would blur into Impressionist art are no problem for the Video Splitters for Mac. They have 300 MHz of bandwidth to safely accommodate resolutions up to 1280 x 1024 pixels.

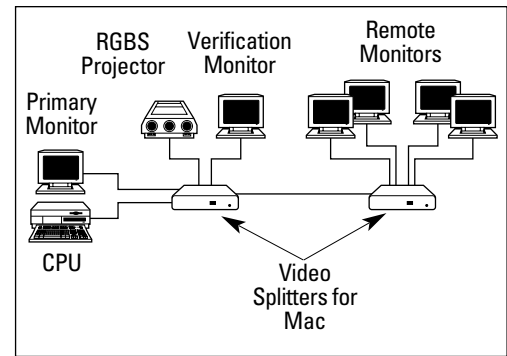
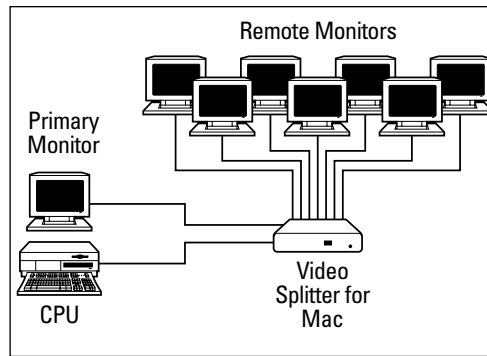
Because the splitters regenerate and amplify video

signals, they can drive them farther than a regular CPU can by itself. Even at higher resolutions and refresh rates (1152 x 870 at 75 Hz, for example), the splitters can reach display devices 100 ft. (30.5 m) away. At lower resolutions and refresh rates (up to 640 x 480 at up to 66 Hz), the splitters can reach devices as far away as 250 ft. (76.2 m).

Typical Applications

- Demonstrate Macintosh software for, or make Mac based presentations to, many people at the same time.
- Use a single Mac CPU and multiple monitors to teach an entire class—none of your students will be watching over anyone else's shoulder, getting lost trying to duplicate your keystrokes or mouse actions, or playing games on class time.
- Broadcast work orders, updated instructions, daily targets, alarms, and other info to all of the stations on the shop floor from one Mac CPU in the administration office.

Send Mac video to as many as ten destinations with one splitter, or cascade splitters to reach multitudes.



Specifications

Compliance: FCC Part 15 Class A, DOC Class/MDC classe A

Standard/Interface: Apple® Macintosh® video

Maximum Resolution: 1600 x 1200 pixels; however, image quality and maximum distance degrade relatively rapidly above 1280 x 1024 pixels

Maximum Refresh Rate: 75 Hz

Maximum Distance: From 100 ft. (30.5 m, at up to 1280 x 1024 and up to 75 Hz) to 250 ft. (76.2 m, at up to 640 x 480 and up to 66 Hz)

Rise Time: Less than 1 ns

Bandwidth: 300 MHz (-3 dBm)

User Control: (1) Front-mounted 4-position DIP switch for selecting monitor type

Connectors: Rear-mounted:

All models:
 (1) 5-pin mini-DIN female for power;
 (1) DB15 female for video input;
 AC129 models: (2) DB15 female for video output;
 AC130 models: (4) DB15 female for video output;
 AC131A: (6) DB15 female for video output;
 AC132A: (8) DB15 female for video output;
 AC133A: (10) DB15 female for video output

Indicator: (1) Front-mounted POWER LED

Temperature Tolerance: 32 to 125°F (0 to 52°C)

Humidity Tolerance: 5 to 95% noncondensing

Enclosure: Metal

Power:

AC129A–AC130A:
 From wallmount power supply:
 Input: 115 VAC, 60 Hz, 12 watts;
 Output: ±5 VDC at 300 mA to 1 amp;
 AC129AE–AC130AE:
 From desktop power supply:
 Input: 230 VAC, 50 Hz, 5 watts;
 Output: ±5 VDC at 500 to 600 mA;
 AC131A–AC133A:
 From desktop power supply:
 Input: 95 to 250 VAC, 47 to 63 Hz (auto-sensing), 10 watts;
 Output: ±5 VDC at up to 2 amps

Size:

AC129A, AC129AE:
 1.5"H x 7.25"W x 3.25"D
 (3.8 x 18.4 x 8.3 cm);
 All other models:
 2.5"H x 7.25"W x 3.25"D
 (6.4 x 18.4 x 8.3 cm)

Weight:

2- and 4-port (AC129, AC130) units: 2.5 lb. (1.1 kg);
 6-port (AC131A) units: 3 lb. (1.4 kg);
 8- and 10-port (AC132A, AC133A) units: 3.5 lb. (1.6 kg)

Technically Speaking

For standard applications in which all monitors are interchangeable, the Video Splitter for Mac can be set to pass the ID bits from your primary monitor through to the video adapter in your Macintosh, ensuring that the adapter will output properly formatted video signals. However, this will not work when there is no primary

monitor, when the primary monitor's cable doesn't carry the ID bits, or when the primary monitor displays higher-grade video than the other monitors. In these cases, set the splitter to emulate an Apple monitor such as a 12" (512 x 384), 13"/14" (640 x 480), 15" portrait, 21" (1152 x 870), or two-page monochrome.

What's Included

- (1) Video Splitter for Mac.
- (1) external transformer (power supply).
- (1) 6-ft. (1.8-m) DB15-male-to-DB15-male cable for connecting a Macintosh CPU or other video-output source to the splitter.
- (1) users' manual.

Why Buy From Black Box? Exceptional Value. Exceptional Tech Support. Period.

Recognize any of these situations?

- You wait more than 30 minutes to get through to a vendor's tech support.
- The so-called "tech" can't help you or gives you the wrong answer.
- You don't have a purchase order number and the tech refuses to help you.
- It's 9 p. m. and you need help, but your vendor's tech support line is closed.

According to a survey by Data Communications magazine, 90% of network managers surveyed say that getting the technical support they need is extremely important when choosing a

vendor. But even though network managers pay anywhere from 10 to 20% of their overall purchase price for a basic service and support contract, the technical support and service they receive falls far short of their expectations—and certainly isn't worth what they paid.

At Black Box, we guarantee the best value and the best support. You can even consult our Technical Support Experts before you buy if you need help selecting just the right component for your application.

Don't waste time and money—call Black Box today.

Ordering Information

ITEM	CODE
Video Splitters for Mac	
2-Channel (115-VAC).....	AC129A
2-Channel (230-VAC).....	AC129AE
4-Channel (115-VAC).....	AC130A
4-Channel (230-VAC).....	AC130AE
6-Channel (95–250-VAC).....	AC131A
8-Channel (95–250-VAC).....	AC132A
10-Channel (95–250-VAC).....	AC133A
<i>To connect the splitter to your display devices, order...</i>	
Video Cable	
DB15 Male/DB15 Female, 6-ft. (1.8-m).....	EVMA16
<i>To connect the splitter to RGB monitors and projectors, order...</i>	
Video Cables	
DB15 Male/(3) BNC, 6-ft. (1.8-m).....	EVMA13
DB15 Male/(4) BNC, 6-ft. (1.8-m).....	EYRGS3-0006
Mac Extension Cables, DB15 Male/DB15 Female,	
30-ft. (9.1-m).....	EVMA30
50-ft. (15.2-m).....	EVMA50
100-ft. (30.4-m).....	EVMA100
150-ft. (45.7-m).....	EVMA150
250-ft. (76.2-m).....	EVMA250